

深圳市高信技术有限公司

Shenzhen Gaoxin Technology Co., Ltd

SPECIFICATION

FOR

LCD MODULE

Customer : _____

CustomerP/N _____

Model No. : GX076-30MB-A1

Version : V00

Date : 2023-12-25

Final Approval by Customer

LCM Machinery OK <input type="checkbox"/>	Checked By	
LCM Display OK <input type="checkbox"/>	Checked By	
LCM NG <input type="checkbox"/> LCM OK <input type="checkbox"/>	Approved By	

ShenZhen GX Confirmed :

DESIGN	CHECK	APPROVAL

深圳市高信技术有限公司

Shenzhen Gaoxin Technology Co., Ltd

LIST OF CONTENTS

No.	CONTENTS	PAGE
1	REVISION HISTORY	
2	GENERAL INFORMATION	
3	ABSOLUTE MAXIMUM RATINGS	
4	DC ELECTRICAL CHARACTERISTICS	
5	TIMING CHARACTERISTICS	
6	RESET TIMING	
7	EXTERNAL DIMENSIONS	
8	INTERFACE SIGNALS	
9	ELECTRO-OPTICAL CHARACTERISTICS	
10	RELIABILITY TEST CONDITIONS	
11	INSPECTION CRITERION	
12	PRECAUTINGS FOR USING LCD MODULES	

深圳市高信技术有限公司

Shenzhen Gaoxin Technology Co., Ltd

1- REVISION HISTORY

Version	Date	Description	Revised By
V00	2023-12-25	First Issued	FLQ

深圳市高信技术有限公司

Shenzhen Gaoxin Technology Co., Ltd

2- GENERAL INFORMATION

Item	Specification	Unit
LCD size 液晶面板尺寸	7.6	inch
Display Mode 显示模式	Normally Black	--
Resolution 分辨率	800(RGB)x800	Pixel
Pixel pitch 像素尺寸	36.5(H) x 109.5(V)	μm
Pixel Arrangement 像素排列	RGB Vertical Stripe	
Viewing direction 视角	Free	-
Module outline dimension	142.56 (H)*148.24 (V)*5.1(D)	mm
LCD AA 液晶显示区域	135.36 (H)* 135.36 (V)	mm
TP VA 触摸可视区域	-	mm
Colors 颜色深度	16.7M	-
Interface 接口类型	MIPI	--
Touch IC 触摸芯片	-	--
Surface hardness 表面硬度	-	--
支持点数	-	--
Touch structure 触摸结构	-	--
Cover lens 盖板	-	--
Colors 颜色	-	--
Operating Temperature 工作温度	-20℃~ +70℃	--
Storage Temperature 存储温度	-25℃~ +75℃	--
环保要求	ROHS	--

深圳市高信技术有限公司

Shenzhen Gaoxin Technology Co., Ltd

3- ABSOLUTE MAXIMUM RATINGS

Parameter	Symbol	Min	Max	Unit	Note
Power Supply voltage 1	VCI~GND	-0.3	+6.5	V	
Power Supply voltage 2	IOVCC~GND	-0.3	+3.3	V	
Logic Input Voltage Range	V_{IN}	-0.3	IOVCC+0.3	V	
Logic Output Voltage Range	V_O	-0.3	IOVCC+0.3	V	
Operating temperature	Topr	-20	+70	°C	
Storage temperature	Tstg	-25	+75	°C	

* The absolute maximum rating values of this product are not allowed to be exceeded at any times. Should a module be used with any of the absolute maximum ratings exceeded, the characteristics of the module may not be recovered, or in an extreme case, the module may be permanently destroyed.

4- DC ELECTRICAL CHARACTERISTICS

4.1 Driving TFT LCD Panel

AGND = GND = 0V, Ta = 25°C

Parameter	Symbol	Min	Typ	Max	Unit
Supply voltage for analog circuit	VCI	2.5	3.3	3.6	V
Supply voltage for logic circuit	IOVCC	1.65	1.8	3.3	V
Input voltage 'H'level	V_{IH}	0.7*IOVCC	—	IOVCC	V
Input voltage 'L'level	V_{IL}	GND	—	0.3*IOVCC	V
Output voltage 'H'level	V_{OH}	0.8*IOVCCI	—	IOVCC	V
Output voltage 'L'level	V_{OL}	GND	—	0.2*IOVCC	V

4.2 Backlight Characteristics

Ta = 25°C

Item	Symbol	Min	Typ	Max	Unit	Condition
Forward voltage	Vf	13.5	15.0	17	V	If=225mA
LCM Luminance	LV		1000	—	cd/m ²	
Number of LED	-	5X5			Piece	-
Connection mode	S/P	5Serial/5Parallel			-	-

Using condition: constant current driving method If= 225mA (+/-10%)

5- TIMING CHARACTERISTICS

深圳市高信技术有限公司

Shenzhen Gaoxin Technology Co., Ltd

5.1 High Speed Mode-Clock Channel Timing

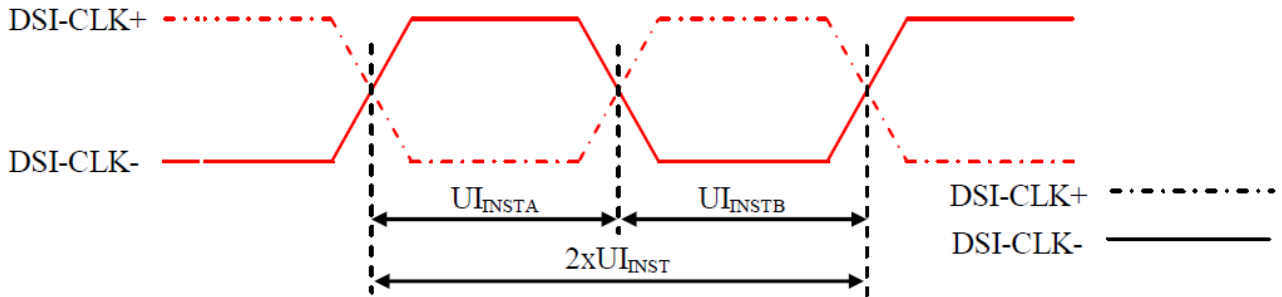


Figure 5.1.1 DSI Clock Channel Timing

Signal	Symbol	Parameter	Min	Max	Unit
CLKP/N	$2xUI_{INST}$	Double UI instantaneous	4	25	ns
CLKP/N	UI_{INSTA}, UI_{INSTB} (Note 1)	UI instantaneous Half	2 (Note 2)	12.5	ns

Notes:

1. $UI = UI_{INSTA} = UI_{INSTB}$
2. Define the minimum value of 24 UI per Pixel, see Table 39.

Table 39: Limited Clock Channel Speed

Data type	Two Lanes speed	Three Lanes speed	Four Lanes speed
Data Type = 00 1110 (0Eh), RGB 565, 16 UI per Pixel	566 Mbps	433 Mbps	366 Mbps
Data Type = 01 1110 (1Eh), RGB 666, 18 UI per Pixel	637 Mbps	487 Mbps	412 Mbps
Data Type = 10 1110 (2Eh), RGB 666 Loosely, 24 UI per Pixel	850 Mbps	650 Mbps	550 Mbps
Data Type = 11 1110 (3Eh), RGB 888, 24 UI per Pixel	850 Mbps	650 Mbps	550 Mbps

5.2 High Speed Mode-Data Clock Channel Timing

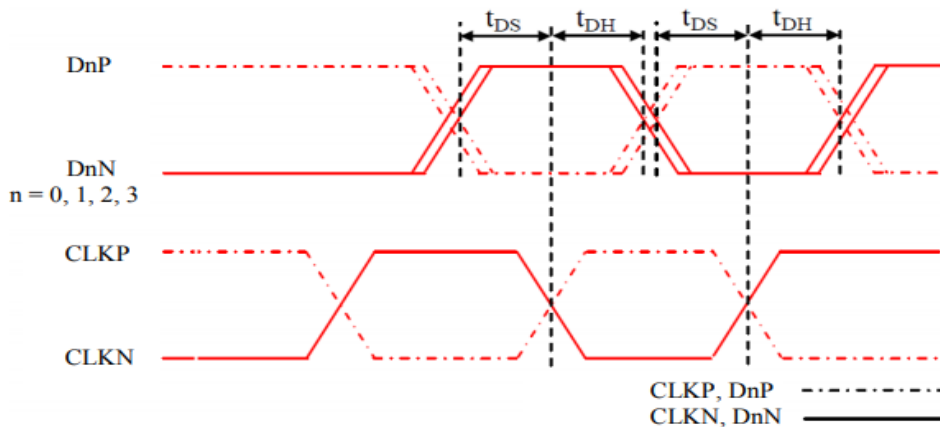


Figure 5.2.1 Data to Clock Channel Timing

深圳市高信技术有限公司

Shenzhen Gaoxin Technology Co., Ltd

Signal	Symbol	Parameter	Min	Max
DnP/N , n=0 and 1	t_{DS}	Data to Clock Setup time	0.15xUI	-
	t_{DH}	Clock to Data Hold Time	0.15xUI	-

5.3 High Speed Mode-Rising and Falling Timings

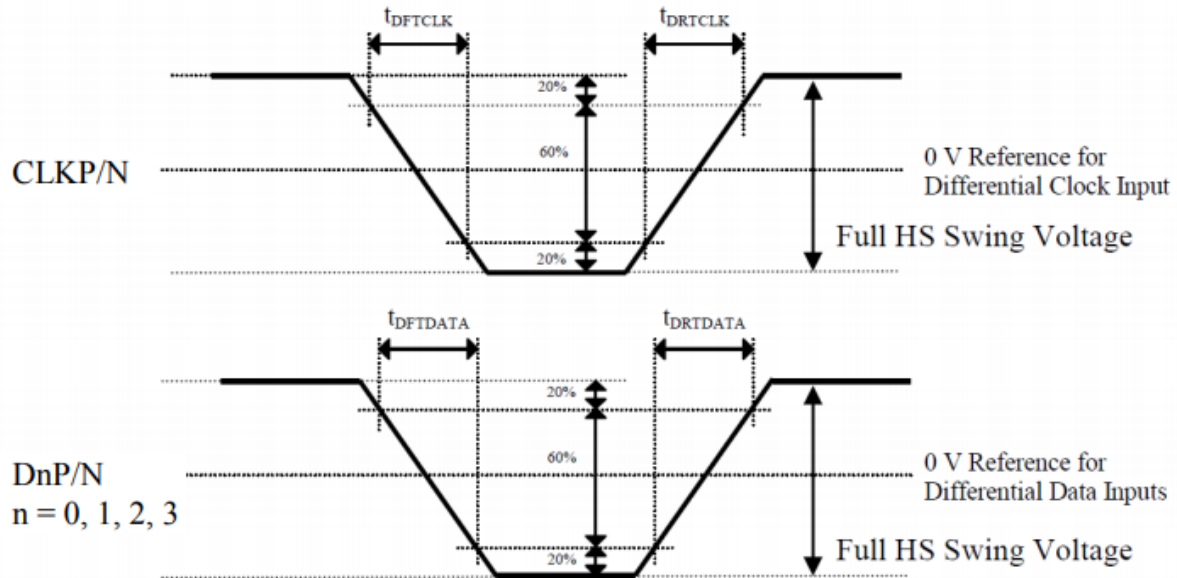


Figure 5.3.1 Rising and Falling Timings on Clock and Data channels

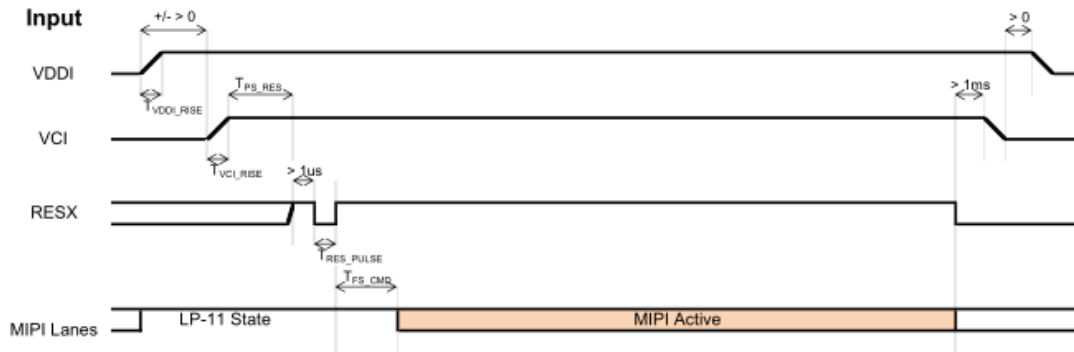
Parameter	Symbol	Condition	Specification		
			Min	Typ	Max
Differential Rise Time for Clock	t_{DRTCLK}	CLKP/N	150 ps	-	0.3UI (Note)
Differential Rise Time for Data	$t_{DRTDATA}$	DnP/N n=0 and 1	150 ps	-	0.3UI (Note)
Differential Fall Time for Clock	t_{DFTCLK}	CLKP/N	150 ps	-	0.3UI (Note)
Differential Fall Time for Data	$t_{DFTDATA}$	DnP/N n=0 and 1	150 ps	-	0.3UI (Note)

Note: The display module has to meet timing requirements, which are defined for the transmitter (MCU) on MIPI D-Phy standard.

5.4 VCI VDDI(IOVCC) Input power sequence

深圳市高信技术有限公司

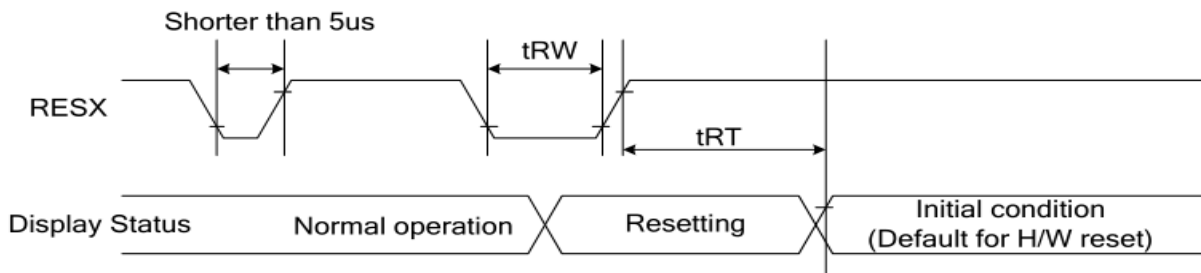
Shenzhen Gaoxin Technology Co., Ltd



Symbol	Characteristics	Min.	Typ.	Max.	Units
T_{VDDI_RISE}	VDDI Rise time	200	-	-	us
T_{VCI_RISE}	VCI Rise time	200	-	-	us
T_{PS_RES}	VDDI/VCI on to Reset high	5	-	-	ms
T_{RES_PULSE}	Reset low pulse time	10	-	-	us
T_{FS_CMD}	Reset to first command	10	-	-	ms

Figure 5.4.1 VCI/VDDI input power on/of sequence

6. Reset Timing



Signal	Symbol	Parameter	Min	Max	Unit
RESX	tRW	Reset pulse duration	10		uS
	tRT	Reset cancel		5 (note 1,5) 120 (note 1,6,7)	mS

Notes:

1. The reset cancel also includes required time for loading ID bytes, VCOM setting and other settings from EEPROM (or similar device) to registers.

This loading is done every time when there is HW reset cancel time (tRT) within 10 ms after a rising edge of RESX.

2. Spike due to an electrostatic discharge on RESX line does not cause irregular system reset according to the table below :

RESX Pulse	Action
Shorter than 5us	Reset Rejected

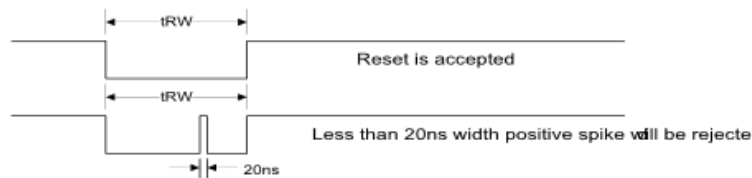
深圳市高信技术有限公司

Shenzhen Gaoxin Technology Co., Ltd

Longer than 9us	Reset
Between 5us and 9us	Reset starts

3. During the Resetting period, the display will be blanked(The display is entering blanking sequence, which maximum time is 120 ms, when Reset Starts at Sleep-Out status. The display remains the blank state in Sleep-In mode). Then return to Default condition for Hardware Reset

4. Spike Rejection also applies during a valid reset pulse as shown below :

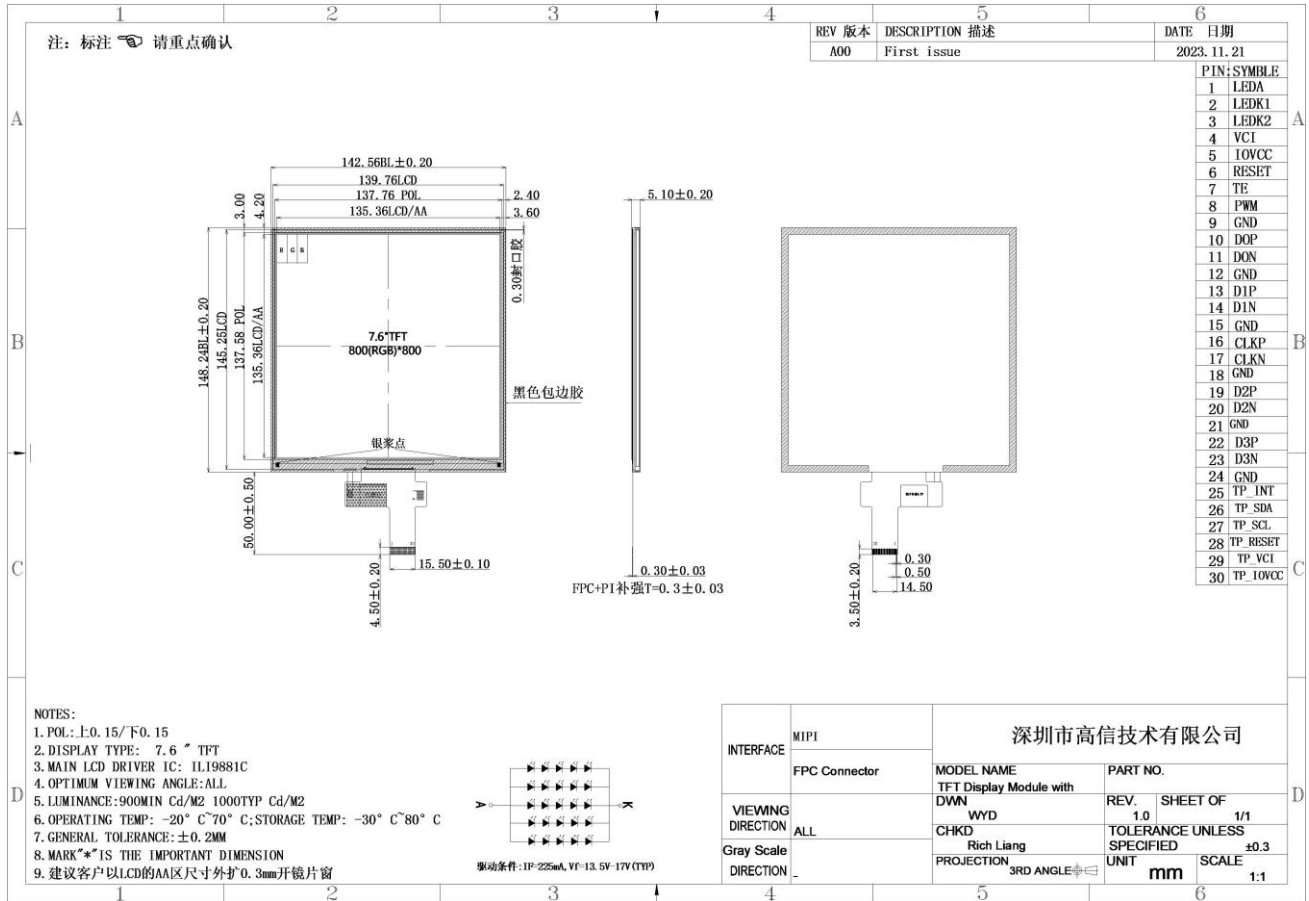


5. When Reset applied during Sleep-In Mode.
6. When Reset applied during Sleep-Out Mode
7. It is necessary to wait 10ms after releasing RESX before sending commands. Also Sleep Out command cannot be sent for 120 ms.

深圳市高信技术有限公司

Shenzhen Gaoxin Technology Co., Ltd

7- EXTERNAL DIMENSIONS



深圳市高信技术有限公司

Shenzhen Gaoxin Technology Co., Ltd

8-INTERFACE SIGNAL

Pin No.	Symbol	Description
1	LEDA	LED backlight anode.
2	LEDK	LED backlight cathode.
3	LEDK	LED backlight cathode.
4	VCI	Power supply for the analog power
5	IOVCC	Power supply for the logic power and I/O circuit
6	RESET	Reset signal(low active)
7	TE	Tearing effect output
8	PWM	The PWM frequency output for LCD driver control.
9	GND	Power ground
10	MIPI_DP0	MIPI-DSI data lane 0 positive input pin.
11	MIPI_DN0	MIPI-DSI data lane 0 negative input pin.
12	GND	Power ground
13	MIPI_DP1	MIPI-DSI data lane 1 positive input pin.
14	MIPI_DN1	MIPI-DSI data lane 1 negative input pin.
15	GND	Power ground
16	MIPI_CLKP	MIPI-DSI data lane positive input pin.
17	MIPI_CLKN	MIPI-DSI data lane negative input pin.
18	GND	Power ground
19	MIPI_DP2	MIPI-DSI data lane 2 positive input pin.
20	MIPI_DN2	MIPI-DSI data lane 2 negative input pin.
21	GND	Power ground
22	MIPI_DP3	MIPI-DSI data lane 3 positive input pin.
23	MIPI_DN3	MIPI-DSI data lane 3 negative input pin.
24	GND	Power ground
25	TP_INT	INT pin for CTP (NC)
26	TP_SDA	SDA pin for CTP (NC)
27	TP_SCL	SCL pin for CTP (NC)
28	TP_RESET	Reset pin for TP (NC)
29	TP_VCI	VCI pin for CTP (NC)
30	TP_IOVCC	IOVCC pin for CTP (NC)

9-ELECTRO-OPTICAL CHARACTERISTICS

深圳市高信技术有限公司

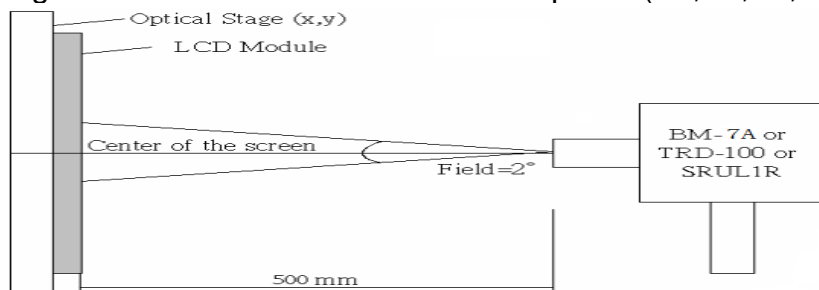
Shenzhen Gaoxin Technology Co., Ltd

Item	Symbol	Condition	Min	Typ	Max	Unit	Note			
Transmittance (w/o polarizer)	T%	$\theta=0^\circ$ $T_a=25^\circ\text{C}$	4.7	5.5	-	%	1			
Contrast ratio	Cr		1000	1200	-	-	3			
Response time	Ton+Toff		-	30	35	ms	4			
Surface Luminance	LV		--	1000	-	cd/m ²	2			
Color Gamut		$\theta=0^\circ$	65	70		%				
Viewing angle range		H or V er	Θ_{x+}	Center CR>10	-	85	-	deg	5	
			Θ_{x-}		-	85	-	deg		
			Θ_{y+}		-	85	-	deg		
			Θ_{y-}		-	85	-	deg		
CIE(x,y) chromaticity		Viewing normal angle $\Theta_x=\Theta_y=0^\circ$ $T_a=25^\circ\text{C}$	-0.03			+0.03	-	6		
							Red		x	-
									y	-
							Green		x	-
									y	-
							Blue		x	-
									y	-
							White		x	-
y	-									

Note 1. Ambient condition: $25^\circ\text{C}\pm 2^\circ\text{C}$, $60\pm 10\%\text{RH}$, under 10 Lux in the darkroom.

Note 2. Measure device: BM-7A (TOPCON), viewing cone= 2°

L_v = Average Surface Luminance with all white pixels (P1,P2,P3,P4,P5)



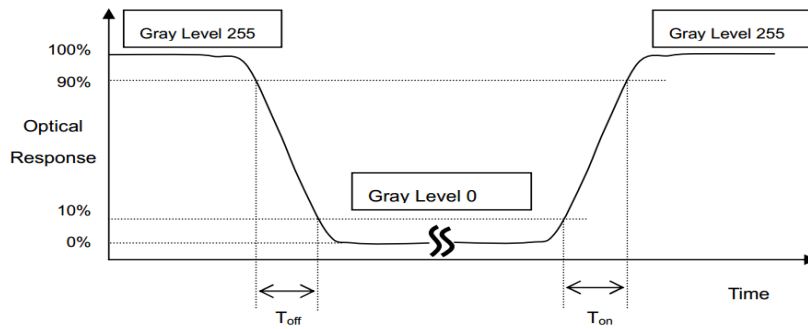
Note 3. Definition of Contrast Ratio:

$$CR = \frac{\text{Average Surface Luminance with all black pixels (P1,P2,P3,P4,P5)}}{\text{Average Surface Luminance with all white pixels (P1,P2,P3,P4,P5)}}$$

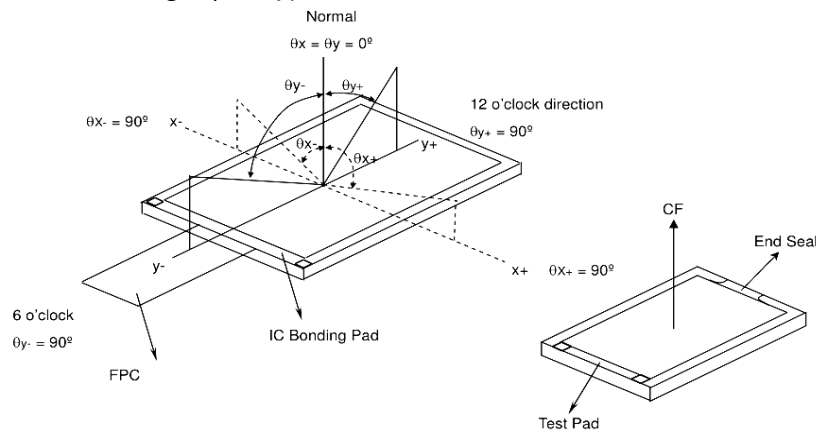
Note 4. Definition of Response Time (Ton, Toff), The response time is defined as the time interval between the 10% and 90% amplitudes.

深圳市高信技术有限公司

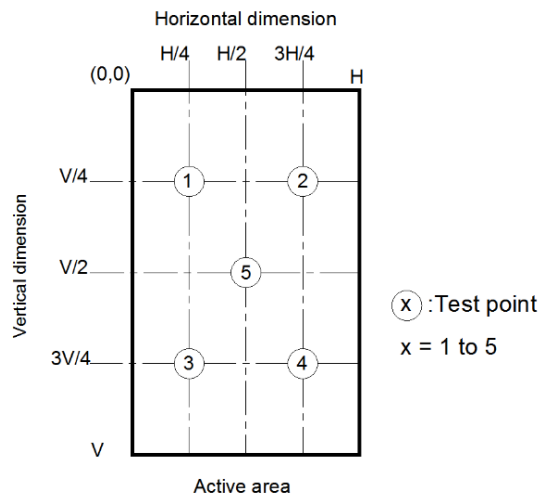
Shenzhen Gaoxin Technology Co., Ltd



Note 5. Definition of view angle(θ , ψ):



Note 6. The LCD module should be stabilized at a given temperature for 20 minutes to avoid abrupt temperature change during measuring. In order to stabilize the luminance, the measurement should be executed after lighting Backlight for 20 minutes in a windless room. Measuring method for Contrast ratio, surface luminance, Luminance uniformity, CIE(x,y) chromaticity.



Light spot size $\varnothing=7\text{mm}$, 500mm distance from the LCD surface to detector lens measurement instrument is TOPCON's luminance meter BM-7

10 RELIABILITY TEST

Reliability test conditions (Polarizer characteristics null)

深圳市高信技术有限公司

Shenzhen Gaoxin Technology Co., Ltd

No.	Items	Condition	Inspection after test
1	High Temperature Storage	T =75℃ for 48 hr	Inspection after 4 hours storage at room temperature, the sample shall be free from defects: 1.Air bubble in the LCD 2.Sealleak; 3.Non-display; 4.missing segments; 5.Glass crack; 6.Current Idd is twice higher than initial value.
2	Low Temperature Storage	T = -25℃ for 48 hr	
3	High Temperature Operating	T = 70℃ for 48 hr	
4	Low Temperature Operating	T = -20℃for 48 hr (But no condensation of dew)	
5	High Temp. and High Humidity Storage	T = 60℃ /90% for 48 hr (But no condensation dew)	
6	Thermal Shock	-20℃~25~60℃x10cycles (30min.) (5min.) (30min.)	
7	Dropping test (non-operation)	Drop to the ground from 76cm height, one time, every side of carton. (Packing condition)	
8	Packing Vibration (non-operation)	Frequency: 10Hz~55Hz~10Hz Amplitude: 1.0mm, X, Y, Z direction for total 3hours (Packing condition)	
9	ESD	Voltage:±6KV R: 330Ω C: 150pF Air discharge, 10time	

Note:

- (1)The test samples should be applied to only one test item.
- (2)Sample size for each test item is 5~10pcs.
- (3)In case of malfunction defect caused by ESD damage, if it would be recovered to normal state after resetting, it would be judge as a good part.
Using ionizer(an antistatic blower) is recommended at working area in order to reduce electro-static voltage.
When removing protection film from LCM panel, peel off the tag slowly (recommended more than one second) while blowing with ionizer toward the peeling face to minimize ESD which may damage electrical circuit.
- (4) Please use automatic switch testing mode when test operating mode.

11 INSPECTION CRITERION

This specification is made to be used as the standard acceptance/rejection criteria for Normal LCM Product.

1 Sample plan

Sampling plan according to GB/T2828.1-2003/ISO 2859-1: 1999 and ANSI/ASQC Z1.4-1993,normal level 2 and based on:

深圳市高信技术有限公司

Shenzhen Gaoxin Technology Co., Ltd

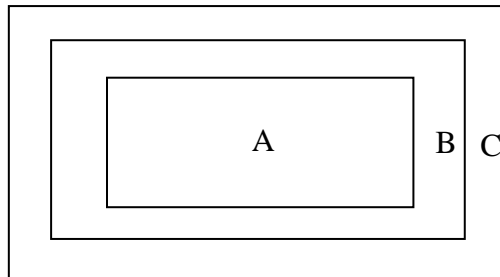
Major defect: AQL 0.65

Minor defect: AQL 1.0

2. Inspection condition

Viewing distance for cosmetic inspection is about 30cm with bare eyes, and under an environment of 20~40W light intensity, all directions for inspecting the sample should be within 45° against perpendicular line. (Normal temperature 20~25°C and normal humidity 60±15%RH).

3. Definition of inspection zone in LCD.



Zone A: character/Digit area

Zone B: viewing area except Zone A (Zone A + Zone B=minimum Viewing area)

Zone C: Outside viewing area (invisible area after assembly in customer's product)

Fig.1 Inspection zones in an LCD.

Note: As a general rule, visual defects in Zone C are permissible, when it is no trouble for quality and assembly of customer's product.

4. Standards of inspection items

4.1 Major Defect

Item No	Items to be inspected	Inspection Standard	Classification of defects
4.1.1	All functional defects	1.No display	Major
		2.Display abnormally	
		3.Missing vertical, horizontal segment	
		4.Short circuit	
		5. Back-light no lighting, flickering and abnormal lighting.	
4.1.2	Missing	Missing component	
4.1.3	Outline dimension	Overall outline dimension beyond the drawing is not allowed.	
4.1.4	linearity	No more than 1.5%	

4.2 Cosmetic Defect

Item No	Items to be inspected	Inspection Standard	Classification of defects
---------	-----------------------	---------------------	---------------------------

深圳市高信技术有限公司

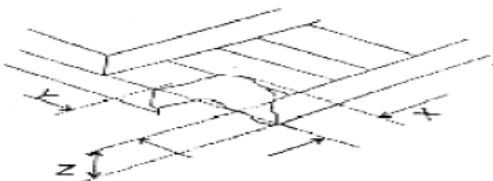
Shenzhen Gaoxin Technology Co., Ltd

4.2.1	Clear Spots Black and white Spot defect Pinhole, Foreign Particle, polarizer Dirt	For dark/white spot, size Φ is defined as $\Phi = \frac{(x + y)}{2}$			Minor	
		1				
		Zone	Acceptable Qty			
			A	B		C
		Size(mm)	Ignore			
		$\Phi \leq 0.15$				
		$0.15 < \Phi \leq 0.20$				
	$0.20 < \Phi \leq 0.30$					
	$\Phi > 0.30$	0				
	Clear Spots TP Dirt	2				
		Zone	Acceptable Qty			
			A	B	C	
		Size(mm)	Ignore			
		$\Phi \leq 0.15$				
		$0.15 < \Phi \leq 0.20$				
		$0.20 < \Phi \leq 0.30$				
	$\Phi > 0.30$	0				
	Dim Spots Circle shaped and dim edged defects	3				
Zone		Acceptable Qty				
		A	B	C		
Size(mm)		Ignore				
$\Phi \leq 0.2$						
$0.20 < \Phi \leq 0.40$						
$0.40 < \Phi \leq 0.60$						
$\Phi > 0.60$	0					
Item No	Items to be inspected	Inspection Standard			Classification of defects	
4.2.2	Line defect Black line, White line, Foreign material on polarizer	Size(mm)		Acceptable Qty		
		L(Length)	W(Width)	Zone		
				A	B	C
		Ignore	$W \leq 0.05$	Ignore		Minor
		$L \leq 5.0$	$0.05 < W \leq 0.08$	2		
	$W > 0.08$	0				

深圳市高信技术有限公司

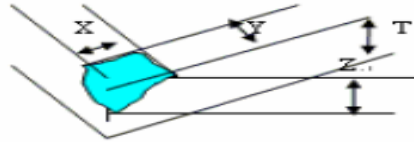
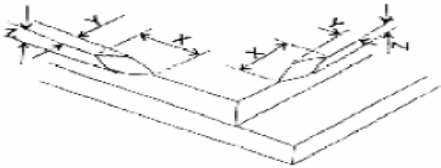
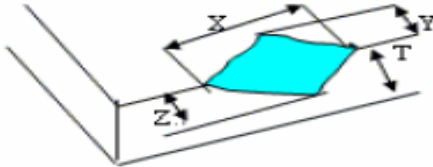
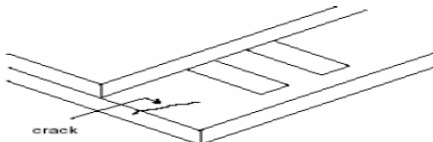
Shenzhen Gaoxin Technology Co., Ltd

	Foreign material on TP film	The line can be seen after mobile phone in the operating condition:			Minor		
		Size(mm)		Acceptable Qty			
		L(Length)	W(Width)	Zone			
				A		B	C
		Ignore	$W \leq 0.05$	Ignore		Ignore	
		$L \leq 5.0$	$0.05 < W \leq 0.08$	3			
	$W > 0.08$	0					
4.2.3	Dim line defect Polarizer scratch TP film scratch	If the scratch can be seen after mobile phone cover assembling or in the operating condition, judge by the line defect of 4.2.2. If the scratch can be seen only in non-operating condition or some special angle, judge by the following.			Minor		
		Size(mm)		Acceptable Qty			
		L(Length)	W(Width)	Zone			
				A		B	C
		Ignore	$W \leq 0.03$	Ignore		Ignore	
		$5.0 < L \leq 10.0$	$0.03 < W \leq 0.05$	2			
$L \leq 5.0$	$0.05 < W \leq 0.08$	1					
	$W > 0.08$	0					
4.2.4	Polarize Air bubble	Air bubbles between glass & polarizer			Minor		
		Size(mm)	Zone			Acceptable Qty	
			A	B		C	
		$\Phi \leq 0.20$		Ignore		Ignore	
		$0.20 < \Phi \leq 0.3$		2			
$\Phi > 0.30$		0					

Item No	Items to be inspected	Inspection Standard			Classification of defects
4.35	Glass defect	(i) Chips on corner A:LCD Glass defect			Minor
					
		X(mm)	Y(mm)	Z(mm)	
		≤ 3.0	≤ 3.0	Disregard	

深圳市高信技术有限公司

Shenzhen Gaoxin Technology Co., Ltd

<p>Notes: S=contact pad length Chips on the corner of terminal shall not be allowed to extend into the ITO pad or expose perimeter seal. B:TP Glass defect</p> 		
X(mm)	Y(mm)	Z(mm)
≤3.0	≤3.0	Disregard
<p>(ii) Usual surface cracks A:LCD Glass defect</p> 		
X(mm)	Y(mm)	Z(mm)
≤3.0	<Inner border line of the seal	Disregard
<p>B:TP Glass defect</p> 		
X(mm)	Y(mm)	Z(mm)
≤6.0	<2.0	Disregard
<p>(iii) Crack Cracks tend to break are not allowed.</p> 		

12 PRECAUTIONS FOR USE OF LCD MODULES

1. Handling Precautions

- (1) The display panel is made of glass and polarizer. As glass is fragile. It tends to become or chipped during handling especially on the edges. Please avoid dropping or jarring. Do not subject it to a mechanical shock by dropping it or impact.
- (2) If the display panel is damaged and the liquid crystal substance leaks out, be sure not to get any in your mouth. If the substance contacts your skin or clothes, wash it off using soap and water.
- (3) Do not apply excessive force to the display surface or the adjoining areas since this may cause the color tone to vary. Do not touch the display with bare hands. This will stain the display area and degraded insulation between terminals (some cosmetics are determined to the polarizer).

深圳市高信技术有限公司

Shenzhen Gaoxin Technology Co., Ltd

(4) The polarizer covering the display surface of the LCD module is soft and easily scratched. Handle this polarizer carefully. Do not touch, push or rub the exposed polarizers with anything harder than an HB pencil lead (glass, tweezers, etc.). Do not put or attach anything on the display area to avoid leaving marks on. Condensation on the surface and contact with terminals due to cold will damage, stain or dirty the polarizer. After products are tested at low temperature they must be warmed up in a container before coming in contact with room temperature air.

(5) If the display surface becomes contaminated, breathe on the surface and gently wipe it with a soft dry cloth. If it is heavily contaminated, moisten cloth with one of the following solvents

- Isopropyl alcohol
- Ethyl alcohol

Do not scrub hard to avoid damaging the display surface.

(6) Solvents other than those above-mentioned may damage the polarizer. Especially, do not use the following.

- Water
- Ketone
- Aromatic solvents

Wipe off saliva or water drops immediately, contact with water over a long period of time may cause deformation or color fading. Avoid contacting oil and fats.

(7) Exercise care to minimize corrosion of the electrode. Corrosion of the electrodes is accelerated by water droplets, moisture condensation or a current flow in a high-humidity environment.

(8) Install the LCD Module by using the mounting holes. When mounting the LCD module make sure it is free of twisting, warping and distortion. In particular, do not forcibly pull or bend the I/O cable or the backlight cable.

(9) Do not attempt to disassemble or process the LCD module.

(10) NC terminal should be open. Do not connect anything.

(11) If the logic circuit power is off, do not apply the input signals.

(12) Electro-Static Discharge Control, Since this module uses a CMOS LSI, the same careful attention should be paid to electrostatic discharge as for an ordinary CMOS IC. To prevent destruction of the elements by static electricity, be careful to maintain an optimum work environment.

- Before remove LCM from its packing case or incorporating it into a set, be sure the module and your body have the same electric potential. Be sure to ground the body when handling the LCD modules.

- Tools required for assembling, such as soldering irons, must be properly grounded. Make certain the AC power source for the soldering iron does not leak. When using an electric screwdriver to attach LCM, the screwdriver should be of ground potentiality to minimize as much as possible any transmission of electromagnetic waves produced sparks coming from the commutator of the motor.

- To reduce the amount of static electricity generated, do not conduct assembling and other work under dry conditions. To reduce the generation of static electricity be careful that the air in the work is

深圳市高信技术有限公司

Shenzhen Gaoxin Technology Co., Ltd

not too dried. A relative humidity of 50%-60% is recommended. As far as possible make the electric potential of your work clothes and that of the work bench the ground potential

- The LCD module is coated with a film to protect the display surface. Exercise care when peeling off this protective film since static electricity may be generated

(13) Since LCM has been assembled and adjusted with a high degree of precision, avoid applying excessive shocks to the module or making any alterations or modifications to it.

- Do not alter, modify or change the shape of the tab on the metal frame.
- Do not make extra holes on the printed circuit board, modify its shape or change the positions of components to be attached.
- Do not damage or modify the pattern writing on the printed circuit board.
- Absolutely do not modify the zebra rubber strip (conductive rubber) or heat seal connector.
- Except for soldering the interface, do not make any alterations or modifications with a soldering iron.
- Do not drop, bend or twist LCM.

2. Storage precautions

2.1 When storing the LCD modules, avoid exposure to direct sunlight or to the light of fluorescent lamps.

2.2 The LCD modules should be stored under the storage temperature range. If the LCD modules will be stored for a long time, the recommend condition is:

Temperature : 0°C ~ 40°C Relatively humidity: ≤80%

2.3 The LCD modules should be stored in the room without acid, alkali and harmful gas.

2.4 The LCD modules should be no falling and violent shocking during transportation, and also should avoid excessive press, water, damp and sunshine.

----- END